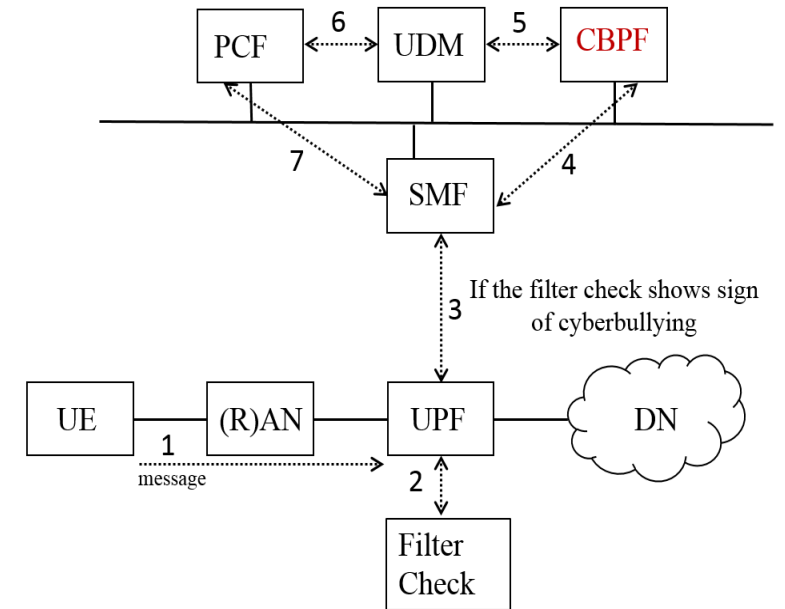


AI-based Cyberbullying Prevention in 5G Networks

Utilizing 5G networks to enhance **privacy** of the subscribers

- Using AI methods and cryptographic protocols to design privacy enhancing functions in the architecture of 5G.
- We aim to solve problems in real life scenarios, together with industrial partners.
- An example: Cyberbullying prevention techniques in 5G.



A cyberbullying prevention function (CBPF) in the architecture of 5G.